



*Instructions for use and maintenance Instrucciones para a
su uso y mantenimiento*

HORIZONTAL FREEZER CONGELADOR HORIZONTAL

SVCH100DDC

SVCH200DDC

SVCH250DDC

SVCH300DDC

SVCH450DDC



西班牙SCAN新A+英西双语说明书（电控专用）

A5大小，铜版纸印刷

编号：SVAN A+英西双语说明书



IMPORTANT SAFETY WARNINGS

ENGLISH

This section contains the main safety warnings. Read them carefully before installing and using the equipment and always follow the instructions in them.

- Always keep the instruction manual and, if you sell the equipment, hand it over to the new owner.
- This appliance must not be installed outdoors, not even if under a roof; it's extremely dangerous to leave it exposed to rain, storms and bad weather in general.
- Never touch, operate or move the appliance with bare feet or wet hands or feet.
- The equipment must be used exclusively for the domestic preservation and/or freezing of food.
- Packaging materials such as plastic bags, polystyrene and plastic tapes must be kept out of reach of children as they are potential sources of danger.
- Don't allow children to play with the appliance (for example by sitting in the baskets or climbing on the hatch), as this may cause it to tip over or cause objects on top of the freezer to fall off.
- Be careful not to damage the cooling fluid circuit during positioning, installation or cleaning.
- Make sure that no electrical appliances or components (eg. fans, switches, power outlets, etc.) are installed near the air vents
- Having installed the equipment, make sure it's not resting on the power cable.
- We advise against using extensions or multiple plugs to connect to the mains supply.
- Before carrying out any cleaning or maintenance operations, disconnect the equipment at the power outlet or switch off your entire power system.
- To disconnect the equipment from the mains supply, remove the plug but don't do this by pulling the cable.
- Each basket can take a distributed load of 15 kg.
- Don't put bottles or other glass containers in the low temperature compartment and they may crack or break when their contents are frozen.
- Don't eat food whose eat-by date has expired, as this may lead to food poisoning.
- Don't obstruct any of the opening/vents in the appliance.
- Avoid flames or sparks inside the appliance.
- During defrosting, never use metallic objects to accelerate the process. Failure to observe this rule could cause irreparable damage to the cooling fluid circuit.
- Don't use electrical appliances (ice-cream makers, deodorizers, etc.) inside the equipment.

All maintenance operations, including replacement of the power cable, must be carried out by our customer service engineers. Failure to do so may entail the risk of serious danger for the user.



ENVIRONMENTAL INFORMATION

This appliance is marked in compliance with European Directive 2002/96/CE regarding disposal of waste electrical and electronic appliances (WEEA). The icon of a rubbish bin with a cross over it on the appliance means that the appliance must not be treated as ordinary domestic waste on reaching the end of its useful life but must be taken to the appropriate collection centres for electrical and electronic waste or handed over to a retailer when buying a new one of a similar type. Differentiated collection of this appliance helps avoid negative impact on the environment and people's health as a result of incorrect treatment of the product.



Disposal must be carried out in compliance with current local environmental regulations.

For more detailed information on treatment, disposal and recycling of this product, contact your local waste disposal service or the retailer where you bought it.

Don't throw the packaging material from your equipment in the rubbish but sort the various materials (eg. polystyrene, cardboard, plastic bags, etc.) as required by local regulations.

This appliance does not contain CFCs (the cooling circuit contains R600a - ISOBUTANE).



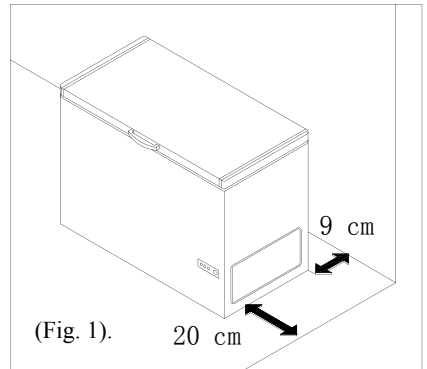
R600a (ISOBUTANE)

Isobutane is a natural gas that doesn't affect the environment, but it is inflammable. Before connecting the equipment to the mains, it is therefore indispensable to check that the cooling circuit tubing is not damaged. For every 8 grams of cooling fluid, there must be a minimum of 1 cubic metre of space in the room where the appliance is installed. In the event of a leakage of cooling fluid, make sure that no flames or other sources of ignition are allowed to get near the leakage point.



INSTALLATION

The equipment must be installed by two people in order to avoid damage to persons and things. If the equipment has suffered damage during transport, immediately inform the supplier before connecting up. Wait at least two hours after installation before putting the appliance into operation, to allow the cooling fluid to reach optimum efficiency. The equipment must be put in a dry, well ventilated place. It must be installed on a flat, stable surface. Adjust the levelling feet if necessary. There must be at least 90 mm space between the back of the equipment and the wall (Fig. 1). Any shelving or cupboards over the appliance must be at least 800 mm from the cover. Ambient temperature considerably affects energy consumption, so the equipment shouldn't be exposed to direct sunlight or placed next to heat sources such as heaters, stoves, cookers, etc. Check the climate classification on technical data plate on the back of the equipment.



"SN" (operates at ambient temperatures between) $+10^{\circ}\text{C}$ and $+32^{\circ}\text{C}$

"N" (operates at ambient temperatures between) $+16^{\circ}\text{C}$ and $+32^{\circ}\text{C}$

"ST" (operates at ambient temperatures between) $+16^{\circ}\text{C}$ and $+38^{\circ}\text{C}$

"T" (operates at ambient temperatures between) $+16^{\circ}\text{C}$ and $+43^{\circ}\text{C}$

Important:

Make sure there is easy access to the power outlet so that the plug can be removed when necessary. If this isn't possible, connect the equipment to the mains by means of a bipolar switch, in an accessible position, with a contact opening of at least 3 mm.

ELECTRICAL CONNECTION

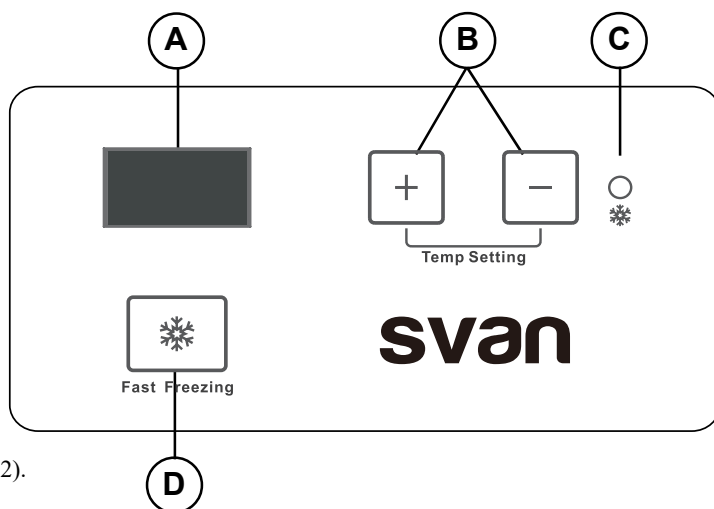
Connection of the equipment to a power outlet with an earth contact is a legal requirement. For this reason the equipment is fitted with a plug with an earth wire for connection to an outlet of the same type. The manufacturer declines any liability for damage to persons, property or pets due to failure to observe this rule. Check that the voltage indicated on the technical data plate on the back of the equipment is the same as that of your mains supply.

How to replace the lamp (only for appliances with lamp) Unplug the equipment or switch off at the main power switch before replacing the lamp. Only use lamps of the wattage indicated on the lamp shield (eg. max. 15 W).

GETTING TO KNOW YOUR FREEZER

The freezer you've chosen allows you to store frozen food and to freeze fresh food (see the section on freezing). Temperature regulation (Fig. 2) The temperature can be regulated in steps by means of the thermostat. Position "0" means equipment on STOP mode. Position "7" means equipment operation at maximum. Remember that thermostat settings are affected by variations in ambient temperature, the quantity of food stored, the position the equipment is in and how often the door is opened. Experience will tell you which setting is right for your needs.

- (A) - temperature display.
- (B) - temperature increase & decrease adjust.
- (C) - fast freezing light.
- (D) - fast freezing.



(Fig. 2).

You can keep frozen food for some months in the low temperature compartment (-18°C). We advise a thermostat setting in the middle position. The storage deadline for foods is usually written on the packaging. A product that starts to defrost must under no circumstances be re-frozen and must be consumed as soon as possible. To preserve flavours, consistency and freshness we suggest wrapping food in aluminium or cling foil and placing it in containers with a lid.

Important: do not put glass containers with warm liquid in them in the low temperature compartment.

Important: don't eat ice cubes or lollipops straight out of the freezer, as they make cause ice burns.

TIPS ON FREEZING

Prevent products to be frozen coming into contact with products that are already frozen. Make sure packets are dry, as this will prevent them from freezing together in a solid block.

- Always prepare food in individual portions, which are quicker to thaw out.
- To freeze the maximum quantity of food indicated on the technical data plate, proceed as follows:
 - Set the thermostat to position "7" 24 hours before freezing.
 - Never freeze food in the baskets as they are only suitable for storage.
 - For fast freezing, arrange the packaged food with the biggest surface areas in contact with the inside walls and then transfer to the storage baskets when freezing is complete. Only open the freezer when necessary and even then as briefly as possible.
 - 26 hours after the start of freezing put the thermostat back to the energy saving setting.
 - Small quantities of food (up to 3 kg) may be frozen by placing them directly against the walls of the freezer.

DEFROSTING THE FREEZER

To save energy, we recommend routine removal of excess frost (3-4 mm) from the inside of the equipment and the cooling grids. Never use sharp or pointed objects or metal tools, humidifiers or heaters, hairdryers or anti-freeze sprays to do this job. They could irreparably damage the cooling circuit and be a source of danger in equipment with R600a. We advise defrosting when the compartment is empty or only containing a few items of food.

To defrost, proceed as follows:

- turn the thermostat switch to stop;
- take the plug out of the wall outlet or switch off the mains system;
- drain off water via the discharge to a basin;
- when all the frost has melted, take up the water with a sponge or cloth;
- clean and dry the walls;
- put the plug back in at the wall outlet and set the thermostat as desired (see the "Getting to know _ your freezer" section).

MAINTENANCE AND CLEANING

Remove the plug from the wall outlet before proceeding or disconnect the general power switch. To clean the inside of the equipment and its fittings we suggest using water and vinegar (1 spoon for every 2.5 l water). Never use abrasives, detergent or soap. Clean the door sealings with water and dry carefully. **Never use a steam cleaner to defrost or clean the equipment. Steam can damage live parts in the equipment and produce a short-circuit and/or electric shock. Steam also damages plastic parts.**

PROLONGED DISUSE

If you go away for long periods, disconnect the equipment from the mains supply, empty, clean the inside and leave the door open (to prevent mould and bad odours forming).

DRAWBACKS AND REMEDIES

The inside temperature isn't low enough.

Check that:

- the door is perfectly closed; the thermostat is in the correct position;
- the freezer is not near a heat source;
- the freezer is not installed against the wall and that there is free circulation of air;
- there isn't excess frost on the cooling grids.

The inside temperature is too low.

Check that:

- the thermostat is in the correct position;
- the **super** switch is off.

The appliance is too noisy

Check that:

- the equipment is level;
- the rear element isn't touching the back wall;

The equipment isn't working at all.

Check that:

- the thermostat isn't set at stop;
- the power supply isn't off;
- the plug is properly in the wall outlet;
- the power cable isn't broken (see the section headed IMPORTANT SAFETY WARNINGS). If the freezer still won't work properly after carrying out the procedures described above, call the nearest CUSTOMER SERVICE (indicated on attached slip).

Important: the freezer may produce the following slight noises:

When the freezer is installed in a damp, unheated area, droplets of condensation may form on the external surfaces, especially with relatively low ambient temperatures and high relative humidity. This phenomenon in no way affects the equipment's efficiency or life cycle.

The manufacturer declines any liability for damage that may directly or indirectly be caused to persons, property or domestic animals by failure to observe all the indications in the instruction booklet, and especially the warnings regarding installation, use and maintenance.

The manufacturer also reserves the right to make any modifications deemed technically or commercially appropriate at any time and under no obligation to give prior notice.



PRECAUCIONES PARA SU SEGURIDAD

ESPAÑOL

En este párrafo se indican las principales precauciones a seguir para su seguridad. Léelas atentamente y respete lo indicado antes de utilizar el aparato.

- Conservar siempre el manual de instrucciones y en caso de vender el aparato, entregarlo al nuevo propietario.
- Este aparato no se debe instalar al aire libre, ni siquiera en caso de que el espacio esté protegido por una marquesina; es muy peligroso dejarlo expuesto a lluvia, tormentas o intemperie.
- No tocar ni manejar nunca el aparato con los pies descalzos ni con manos o pies mojados.
- Aconsejamos esperar por lo menos una hora antes de conectar el aparato para que el aceite del circuito refrigerante tenga el tiempo necesario para ser perfectamente eficiente.
- El aparato debe usarse exclusivamente para conservar y/o congelar alimentos en el hogar.
- Los elementos del embalaje como bolsas de plástico, poliestireno o bandas plásticas no deben dejarse al alcance de los niños puesto que son fuente potencial de peligro.
- No permitir que los niños jueguen con el aparato. Por ejemplo si se sientan en las cestas, se columpian o se agarran a la tapa, el congelador podría volcarse o bien podrían caer los objetos colocados encima de él.
- No usar como estribo o apoyo los zócalos, los cajones, las puertas o las rejillas.
- Prestar atención para no causar daños a las tuberías del circuito de enfriamiento mientras se coloca, instala o limpia.
- Comprobar que en proximidad de las aberturas de ventilación no se hayan instalado aparatos o componentes eléctricos. (p. ej. ventiladores, interruptores, enchufes, etc.).
- Después de instalar el aparato asegurarse de que no esté apoyado en el cable de alimentación.
- Se aconseja no utilizar prolongaciones ni enchufes múltiples para conectarlo a la red de alimentación.
- Antes de llevar a cabo cualquier operación de limpieza o mantenimiento, desenchufar el aparato o apagar el interruptor principal de la red de alimentación.
- Para desconectar el aparato de la red de alimentación hay que quitar el enchufe de la toma. No tirar del cable de alimentación de esta última.
- Cada cajón puede sostener una carga distribuida de 15 kg.
- No meter en la sección de baja temperatura botellas o contenedores de cristal, porque podrían agrietarse o romperse cuando el contenido se congela.
- No consumir alimentos cuya fecha de conservación esté caducada puesto que podrían ser causa de intoxicación.
- No obstruir las aberturas/rejillas de ventilación previstas en el aparato.
- Evitar llamas o chispas dentro del aparato.
- Al descongelar el aparato no utilizar nunca objetos metálicos para acelerar el proceso. El incumplimiento de dicha advertencia podría causar daños irreparables al circuito refrigerante.
- No usar en su interior aparatos eléctricos (p.ej. máquina de hacer helado o de desodorización, etc.).

Cualquier mantenimiento, incluido la eventual sustitución del cable de alimentación debe ser efectuado por el servicio de asistencia técnica o por personal cualificado. De lo contrario, el usuario puede correr serio peligro.



INFORMACIONES RELACIONADAS CON EL MEDIOAMBIENTE

Este aparato se ha marcado de acuerdo con la Directiva Europea 2002/96/CE referente a la eliminación de los Desperdicios de Aparatos Eléctricos y Electrónicos



(RAEE). El símbolo del cubo tachado que consta en el aparato indica que el producto al final de su vida útil no se debe tratar como basura doméstica normal, sino que se debe llevarlo a los centros de recogida diferenciada de desperdicios eléctricos y electrotécnicos o bien entregar al revendedor en el momento de comprar un nuevo aparato de tipo equivalente. La adecuada recogida diferenciada de este aparato contribuye a evitar posibles repercusiones negativas para el ambiente o la salud de las personas, que podrían producirse a causa de un incorrecto tratamiento de este producto. La eliminación debe hacerse respetando los reglamentos medioambientales locales vigentes. Para informaciones más detalladas inherentes al tratamiento, la eliminación o el reciclado de este producto, rogamos contacten el servicio local de eliminación de desechos o a la tienda en que compró el aparato. No tirar el embalaje del aparato a la basura sino seleccionar los diversos materiales como poliestireno, cartón, bolsas de plástico, etc. de acuerdo con las normas locales sobre la eliminación de basuras y las normas vigentes. Este aparato carece de HFC (el circuito refrigerante contiene R600a - ISOBUTANO.)

R600a (ISOBUTANO)

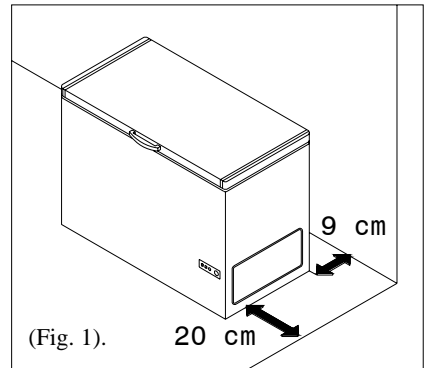


El isobutano es un gas natural que no tiene repercusiones para el medioambiente pero es inflamable. Resulta por lo tanto indispensable, antes de conectar el aparato a la red de alimentación, asegurarse de que no esté dañado ninguno de los tubos del circuito refrigerante. Cada 8 gr. de refrigerante, el sitio donde se instala debe contar con un volumen mínimo de 1 m³. La cantidad de refrigerante consta en la tarjeta de datos técnicos situada en la parte posterior del aparato. En caso de pérdida del refrigerante, evitar que llamas libres o fuentes de encendido se encuentren en proximidad del punto de fuga.

INSTALACIÓN



El aparato deberán instalarlo dos personas para evitar daños a personas o cosas. En caso de daños sufridos durante el transporte del aparato, informar de ello inmediatamente a la empresa proveedora antes de proceder a la conexión. Aconsejamos esperar por lo menos 2 horas desde que se instala antes de poner en funcionamiento el aparato para que el refrigerante sea perfectamente eficiente. El aparato debe estar colocado en un lugar bien ventilado y seco. El aparato debe instalarse en una superficie estable y plana, regulando los pies de nivelación. Entre la parte posterior del aparato y la pared debe haber una distancia de 90 mm por lo menos (fig. 1) En caso de muebles colgantes encima del aparato deben distar por lo menos 800mm de la tapa. La temperatura ambiental repercute fuertemente en el consumo de corriente eléctrica; por lo tanto el aparato no debe estar expuesto directamente a los rayos solares ni situado al lado de fuentes de calor como radiadores, estufas, cocinas, etc. En su caso, utilizar un panel aislante entre las paredes de los muebles. Leer la clase climática del aparato en la tarjeta de datos técnicos situada en la parte posterior del aparato.



(Fig. 1).

"SN" (funciona con temperaturas ambientales) de +10° C a + 32° C

"N" (funciona con temperaturas ambientales) de +16° C a + 32° C

"ST" (funciona con temperaturas ambientales) de +16° C a + 38° C

"T" (funciona con temperaturas ambientales) de +16° C a + 43° C

Atención:

Hay que garantizar el acceso a la toma de conexión del aparato para poder quitar el enchufe en caso necesario. Si esto no fuera posible, conectar el aparato a la red por medio de un interruptor bipolar con distancia de apertura de los contactos de 3 mm por lo menos, colocado en un lugar accesible.

CONEXIÓN ELÉCTRICA

La conexión del aparato con toma dotada de contacto de tierra es obligatoria según la ley. Por este motivo el aparato está dotado de un enchufe provisto de contacto de tierra que debe meterse en una toma del mismo tipo. El fabricante declina cualquier tipo de responsabilidad por daños que puedan producirse a personas, cosas o animales domésticos derivados de la falta de cumplimiento de esta norma. Controlar el voltaje indicado en la tarjeta situada en la parte posterior del aparato y asegurarse de que corresponda a la tensión de red. Instrucciones para sustituir la bombilla interior (sólo para aparatos dotados de lámpara). Desconectar el enchufe o apagar el interruptor principal de la instalación doméstica antes de proceder a la sustitución. Utilizar sólo bombillas cuya potencia sea igual al valor indicado en la protección (p. ej. max 15W).

CONOCER EL APARATO

El congelador que ha elegido permite conservar los alimentos congelados y congelar víveres frescos (ver párrafo congelación). Regulación de la temperatura. (fig. 2) El termostato permite regular gradualmente la temperatura. La posición "0" significa paron del frío. La posición "7" significa funcionamiento al máximo.

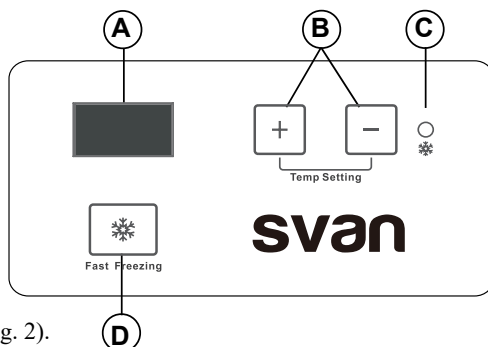
Recordamos que las regulaciones del termostato pueden sufrir variaciones debido a la temperatura ambiental, a la cantidad de alimentos conservados, a su ubicación y a la frecuencia con que se abre la tapa. Con la experiencia encontrarán la regulación más adecuada a sus exigencias.

(A) - pantalla de temperatura.

(B) - aumento de la temperatura y disminución ajustar.

(C) - luz de congelación rápida

(D) - congelación rápida.



(Fig. 2).

CHIVATO DE ALARMA

Se enciende cuando aumenta la temperatura dentro del aparato. Puede deberse a lo siguiente:

- El congelador se acaba de poner en marcha.
- Apertura de la tapa frecuente y prolongada.
- Congelación de grandes cantidades de víveres.
- Elevada temperatura ambiental
- Anomalía de funcionamiento del sistema refrigerante (en este caso hay que contactar el centro de asistencia técnica).

En la sección de baja temperatura donde se llega a -18°C se pueden conservar alimentos congelados durante algunos meses. Se aconseja regular el termostato en la posición media. El tiempo de conservación de los víveres suele indicarse en el paquete. Un producto que empieza a descongelarse no puede volver a congelarse de nuevo y se debe consumir lo antes posible. Para conservar mejor los aromas, los sabores y la frescura, sugerimos envolverlos en papel de aluminio o de polietileno y meterlos en los correspondientes contenedores con tapa.

Atención: no meter en la sección de baja temperatura contenedores de cristal que lleven líquidos.

Atención: no comer cubitos de hielo o polos al sacarlos del congelador, el frío podría ser causa de quemaduras.

INDICACIONES PARA LA CONGELACIÓN

Evitar que los productos a congelar entren en contacto con los ya congelados. Meter siempre paquetes secos para evitar que varios de ellos, al congelarse, formen un bloque único.

- Preparar siempre los alimentos en porciones, para permitir una rápida congelación.
- Para congelar la cantidad máxima de víveres indicados en la placa de datos técnicos seguir las indicaciones señaladas más abajo.
- Poner el botón en la posición "7" 24 horas antes de la congelación.
- Meter y distribuir los víveres en el primer estante colocándolos directamente en la rejilla de enfriamiento y evitar inútiles aperturas de la puerta; en caso de necesidad abrirla sólo durante breve tiempo.
- A las 26 horas de empezar la congelación volver a poner el botón del termostato en la posición deseada.
- No congelar nunca los alimentos en las cestas, porque éstas sirven sólo para la conservación.
- Para una rápida congelación, colocar los alimentos apoyando la superficie mayor en contacto con las paredes internas del aparato y una vez congelados ponerlos en las cestas de conservación; tratar de no levantar la tapa sin necesidad y limitarse a abrir el congelador durante poco tiempo.
- A las 26 horas de empezar la congelación poner de nuevo el botón en la posición de ahorro energético.
- Las cantidades de víveres pequeñas (hasta 3 kg.) se pueden congelar sin activar la congelación rápida, colocándolas directamente apoyadas a las paredes internas del congelador.

DESCONGELACIÓN DEL APARATO

Para limitar los consumos de energía eléctrica, se recomienda limpiar periódicamente por dentro la rejilla de enfriamiento eliminando el exceso de hielo (3-4mm). Para esta operación no utilizar nunca objetos cortantes, con punta o utensilios metálicos, hornillos, secadores del pelo o spray contra el hielo.

o Se podrían causar daños irreparables al circuito refrigerante y ser fuente de peligro en caso de aparatos que funcionan con R600a. Se aconseja descongelar el aparato cuando esté vacío o contenga pocos víveres. Para la descongelación, hacer lo siguiente:

- Desenchufar el aparato o desconectar el interruptor general.
- Dejar que caiga el agua de desagüe en un recipiente.
- Cuando se disuelve todo el hielo recoger el agua que se forma con una esponja o un trapo.
- Limpiar y secar las paredes.
- Meter el enchufe en la toma de corriente y girar el termostato como se desee (ver el párrafo "conocer el aparato").

MANTENIMIENTO Y LIMPIEZA

Quitar el enchufe de la toma de corriente antes de proceder a cualquier tipo de intervención. Para limpiar el interior del aparato y de los accesorios, aconsejamos utilizar una solución de agua y vinagre (una cucharada por cada 2,5 litros de agua); no servirse nunca de abrasivos, detergentes o jabón.

Limpiar las juntas de la puerta con agua y secarlas cuidadosamente.

Para la descongelación o la limpieza, no usar nunca una máquina de limpiar con vapor. El vapor causa daños a las partes bajo tensión del aparato y puede provocar un cortocircuito o una sacudida eléctrica o dañar las partes de plástico.

CONSEJOS EN CASO DE INACTIVIDAD

En caso de ausencia prolongada, desenchufar el aparato, vaciarlo y limpiarlo por dentro, dejando después la puerta abierta (para evitar que se formen malos olores y moldes).

BUSQUEDA Y REPARACIÓN DE FALTAS

La temperatura interior no es bastante fría.

Controlar si:

- la puerta está perfectamente cerrada
- el termostato se encuentra en la posición correcta
- el congelador no está cerca de fuentes de calor
- el congelador no está apoyado a la pared y haya una buena circulación de aire
- en los estantes refrigerantes no hay demasiado hielo.

La temperatura interior es demasiado fría.

Controlar si:

- el termostato está colocado correctamente
- el botón "super" esté desconectado

El aparato hace demasiado ruido.

Controlar si:

- el aparato está bien nivelado
- el elemento posterior toca la pared del fondo

El aparato no funciona en absoluto.

Controlar si:

- la posición del termostato está en stop
- falta la energía eléctrica
- el enchufe está bien metido en la toma eléctrica de pared
- el cable de alimentación está roto (ver párrafo Precauciones para su seguridad)

Si tras haber hecho los controles mencionados no se ha conseguido un funcionamiento normal, dirigirse al SERVICIO DE ASISTENCIA TÉCNICA más próximo.

Atención: la máquina puede ser causa de las siguientes fuentes de ruido limitadas:

Si el congelador se pone en espacios húmedos, sin calefacción, etc., puede que en las superficies exteriores se deposite condensación en forma de gotitas de agua. Esto puede pasar sobre todo en caso de temperatura ambiental relativamente baja y humedad elevada. Este fenómeno no afecta en ningún modo al buen funcionamiento ni a la duración del aparato. El fabricante declina cualquier responsabilidad por daños que se puedan causar directa o indirectamente para personas, cosas o animales domésticos, a consecuencia de la falta de cumplimiento de todas las normas indicadas en el manual de instrucciones y que se refieren, especialmente, a las advertencias sobre instalación, uso y mantenimiento. Igualmente se reserva el derecho a aportar en cualquier momento, y sin obligación de preaviso, todas las modificaciones que resultaran oportunas por razones técnicas o comerciales de desarrollo.

Marca	SVAN				
Modelo	SVCH100DDC	SVCH200DDC	SVCH250DDC	SVCH300DDC	SVCH450DDC
Eficiencia	A+				
CE	YES				
Consumo anual de energía	165 kWh	213 kWh	233 kWh	258 kWh	328 kWh
Volumen neto Refrigeración	0 L				
Volumen neto congelador	93 L	190 L	230 L	282 L	446 L
Nº estrellas	4 Estrellas				
Descongelación	Manual				
Autonomía	1652 min	2218 min	2264 min	2643 min	2335 min
Capacidad	4.5 kg/24hrs	9.1 kg/24hrs	10.6 kg/24hrs	13.1 kg/24hrs	21 kg/24hrs
Clase climática	ST				
Nivel sonoro	42 dB				
Dimensiones	590×580 ×880 mm	988×580 ×880 mm	988×660 ×880 mm	1155×660 ×880 mm	1580×770 ×870 mm
Voltaje	220-240 V/50 Hz				
Corriente	0.6 A				

CE This appliance is made for use in contact with foods and complies with EU Directive 1935/2004 (27th October 2004).
This appliance is designed, built and sold in accordance with the following European Community directives:

- EC Directive 2006/95/CE , 12/12/2006 (Low Voltage) and subsequent amendments.
- EC Directive 89/336/CE, 03/05/89 (Electromagnetic Compatibility) and subsequent amendments.

CE Este aparato está destinado a entrar en contacto con productos alimentarios y es conforme con el Reglamento (CE) N° 1935/2004 del 27 de octubre de 2004.
Este aparato se ha proyectado, fabricado y puesto a la venta en conformidad con las siguientes directivas comunitarias:

- 2006/95/CE de fecha 12/12/06 (Baja tensión) y modificaciones siguientes.
- 89/336 CE del 03/05/89 (Compatibilidad electromagnética) y modificaciones siguientes.

SVAN TRADING S.L.
C/ Ciudad de Cartagena, 20.
Paterna (46988). SPAIN.
info@svanelectro.com
960600034